



Telescopic Boom Excavator 10m 12m 16m For 6 Ton 20 Ton 30 Ton Excavator

Our Product Introduction

for more products please visit us on excavatorlongarm.com

Basic Information

- Place of Origin: China Guangdong
- Brand Name: Zhonghe Machinery
- Certification: CE, patent, ISO
- Model Number: SSB008
- Minimum Order Quantity: 1 set / piece
- Price: USD 199 -USD 5999
- Packaging Details: bubble / wooden cases
- Delivery Time: 7-30 working days
- Payment Terms: T/T, L/C
- Supply Ability: 7 sets per week



Product Specification

- Key Word: Telescopic Boom Excavator
- Situation: Brand New
- Material: LG700 Lighter And Stronger
- Digging Depth: 6m-16m
- Apply To: 6 Ton - 50 Ton Excavator
- Warranty: 6 Months
- Excavator Accessories: Bucket And Other Accessories
- Quality: Premium
- Highlight: **10m Telescopic boom excavator, 12m Telescopic boom excavator, 16m Telescopic boom excavator**



More Images



Product Description

Telescopic boom excavator telescopic dipper arm 14m 16m for 20ton 30ton 35ton Excavator for cat hitachi komatsu sumitoma

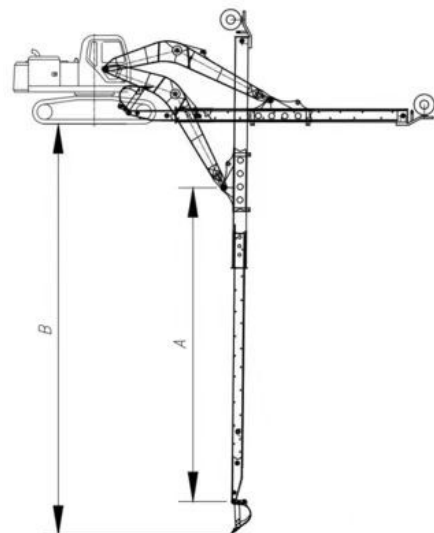
Quick Overview of one set of excavator telescopic arm:

Reduced Maintenance, Labor, and Time: The telescopic boom excavator's exposed bucket cylinder can be replaced without the need to disassemble the arm, making later inspections and maintenance much easier. Excavator telescopic is easy to maintain and the maintainment is cost effective. Clients can buy excavator accessories locally.

Enhanced Strength and Weight: Utilizing Q690D / HG785 as the tube material ensures a balance of strength and reduced weight.

Excavating Depth: Capable of digging to depths of 14M, 15M, and 16M, with varying lengths depending on the excavator model.

Extended Lifespan: Key stress-bearing areas are reinforced to enhance the service life.



Overview of the Excavator Telescopic Arm:

The Excavator Telescopic Boom boasts a two-part structure that accommodates both standard and clamshell buckets. Its functionality revolves around extension and retraction movements. Sliding boom excavator is vital for optimal performance.

Additionally, telescopic dipper arm is reinforced to ensure durability and improved working efficiency.

Some specs of one set of excavator telescopic boom telescopic arm:

Suitable Excavator Model(ton)	Maximum Digging Depth(m)
6T	6m
20-36T	14m
24-36T	15m
25-36T	16m
30-36T	16m

Please send your excavator model directly to us, suitable recommend will be available.



Easy Transportation



Material

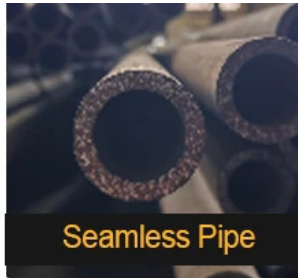
Tube: Q690 / HG785



contact: 0086 13822325403



Certified Steel



Seamless Pipe



40MuCr Pins



Graphite Sleeve



Beveling Machine
Every board will be
beveled before being
welded which enhances
the weld bead

Panel is cut by CNC
plasma machine with
less deformation



Large floor-standing
double-sided boring
machine
Higher accuracy

Any interest,
Welcome to contact Aria--sales manager of Zhonghe Machinery.
Whatsapp: [+86 13822325403](https://wa.me/8613822325403)
Email: aria@excavatorboomarm.com



Jiangmen Kaiping Zhonghe Machinery Manufacturing Co., Ltd



+86 13822325403



aria@excavatorlongarm.com



excavatorlongarm.com

9 Huancui West Road, Cuishanhu New Area, Kaiping City, Guangdong Province, China